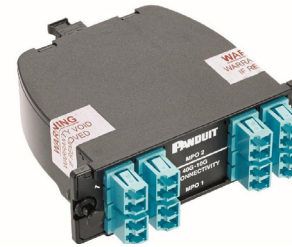


Opticom Series 4-to-1 Breakout Fiber Optic Cassettes

technical information

The Opticom 4-to-1 Breakout Cassette facilitates the breakout of two MPO-8 to 4 duplex LC connectors. This enables a single parallel-optics switch port (40GBASE-SR4, 100GBASE-SR4, 400GBASE-SR4) to support eight duplex LC-based switches or servers. Opticom Breakout cassettes may also connect to a SAN switch to storage arrays at 8/16/32G speeds. All cassettes are factory terminated and tested to deliver verified optical performance and reliability for quick deployment and improved network integrity.



applications

Application areas include key elements as specified in Data Center Cabling Standard TIA 942 cross connects in main, horizontal, and equipment distribution areas. Allows for the connection of two MPO-based port to four LC-based components, such as LAN or SAN switches, and servers. Supports 40G to 4x10G, 100G to 4x25G, 400G to 4x100G or 128G to 4x32G.

construction

Fiber count: 16 - 8x LC Duplex connectors
and 2x MPO 8 connectors

Fiber types: Multimode: OM4 50/125µm
OM4+ 50/125 µm
OM5 50/125 µm
SingleMode: OS2 9/125µm

Front connectivity: Multimode with PC Polish
Singlemode with UPC Polish

**Split sleeve material
(SC or LC adapters):** Zirconia
ceramic: All cassettes

**Rear MTP*
connectivity:** Multimode: MTP Pinned, PC
Singlemode: MTP Pinned, APC

standards

Connectivity meets or exceeds TIA/EIA-568-C.3 performance requirements. Supports IEEE 802.3ba (40/100 Gigabit Ethernet).

environmental properties

Operating temperature: Room Temperature 0°C to +70°C
(32°F to 158°F)

**Storage and shipping
temperature:** -40°C to +75°C
(-40°F to 167°F)

performance properties

**Insertion loss
(Link loss):** Standard Loss - SM
(per channel): 0.75dB max.
Ultra Loss - MM
(per channel): 0.35dB max.
Optimized Loss - MM
(per channel): 0.5dB max.

Return loss: Per channel: >55dB Singlemode
>26dB Multimode

Connector durability: Connectors meeting
ANSI/TIA-586C.3
Durability: 500 mating cycles

*MTP is a registered trademark of US Conec Ltd.

Opticom Series 4-to-1 Breakout Fiber Optic Cassettes

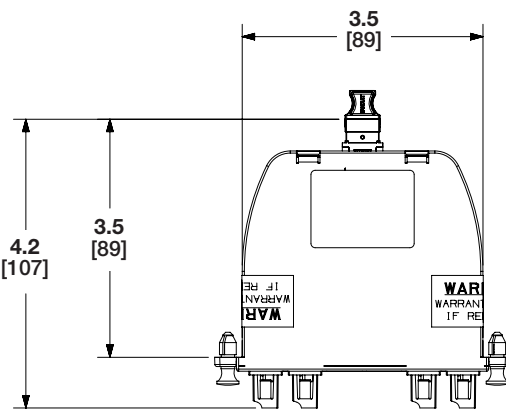
part number configurator

FC3ZO-16-10U2 - 40G 10G QuickNet cassette with OM4 fiber, optimized low loss, 16 fiber total, front LC duplex aqua adapter, rear male MTP (pins); Universal pair flipped

Character	1	2	3	4	5	6	7	8	9	10	11	12	13
Example	F	C	3	Z	O	-	1	6	-	1	0	U	2

<p>1 – Fiber Product F = Fiber</p> <p>2 – Product C = Cassette</p> <p>3 – Generation 3 = 4-to-1 breakout</p>	<p>4 – Fiber Type 9 = OS2 Singlemode 9/125µm S = OM4+ 50/125 um W = OM5 50/125 um</p> <p>5 – Fiber Performance N = Standard - OS2 only O = Optimized U = Ultra</p> <p>6 – Dash</p>	<p>7 and 8 - Numbers of Fibers 16 = 16-Fiber total</p> <p>9 – Dash</p> <p>10 and 11 – Adapter Type 10 = Duplex LC Adapter</p> <p>12 – Polarity U = Universal U2 = Universal (pair flipped)</p>
---	---	--

QuickNet™ MTP* Fiber Optic Cassettes

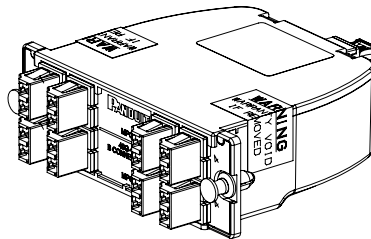
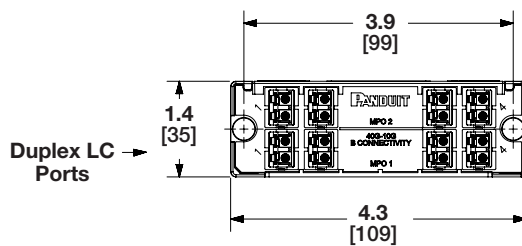


4 to 1 Breakout Cassette Fiber pin-out Method U (to be used in Breakout Applications)																
LC Port Number	MPO #1				MPO #2											
	1	2	3	4	1	2	3	4								
	B	A	B	A	B	A	B	A	B	A	B	A				
MPO* Fiber Position	1	12	2	11	3	10	4	9	12	1	11	2	10	3	9	4

* Key Up/Key Down Adapter (Black Color) - Requires Method B MPO Connectivity

Opticom Method U2 16f Cassette Method U2 (to be used in multi cassette link)																
LC Port Number	MPO #1				MPO #2											
	1	2	3	4	1	2	3	4								
	B	A	B	A	B	A	B	A	B	A	B	A				
MPO* Fiber Position	12	1	11	2	10	3	9	4	12	1	11	2	10	3	9	4

* Key Up/Key Down Adapter (Black Color) - Requires Method B MPO Connectivity



*MTP is a registered trademark of US Conec Ltd.

Dimensions are in inches. [Dimensions in brackets are metric].

WORLDWIDE SUBSIDIARIES AND SALES OFFICES

PANDUIT US/CANADA
Phone: 800.777.3300

PANDUIT EUROPE LTD.
London, UK
Phone: 44.20.8601.7200

PANDUIT SINGAPORE PTE. LTD.
Republic of Singapore
Phone: 65.6305.7575

PANDUIT JAPAN
Tokyo, Japan
Phone: 81.3.6863.6000

PANDUIT LATIN AMERICA
Guadalajara, Mexico
Phone: 52.33.3777.6000

PANDUIT AUSTRALIA PTY. LTD.
Victoria, Australia
Phone: 61.3.9794.9020

For a copy of Panduit product warranties, log on to www.panduit.com/warranty



For more information
Visit us at www.panduit.com
Contact Customer Service by email: cs@panduit.com
or by phone: 800.777.3300

© 2023 Panduit Corp.
ALL RIGHTS RESERVED.
FBSP85-WW-ENG
12/2023